

Produktinformation:

Varenavn:

Glandmøtrik M16xh16 mm

Varenr:

G91570

Pris:

210,72 DKK /stk

Link:<https://gastroparts.dk/shop/p/glandmoetrik-m16xh16-mm-G91570>**Beskrivelse:**

M16xh16 mm

Mål:

- Længde: mm
- Bredde: mm
- Højde: mm
- Vægt: 50 gr

Fabrikater:**• ELECTROLUX / ZANUSSI**

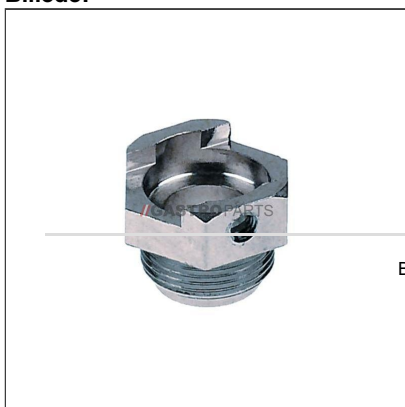
AUCAI (698092), AUCAIDP (698093), AUCAIDPWS (698094), AUCAIG (698095), AUCAIG (698095), AUCAIWSG (698096), AUCI (698091), ET5AIDP (698088), ET5AIDPWS (698089), ET5AIIT (698087), ET5E (698076), ET5ED (698077), ET5EDCW (698010), ET5EDF (698090), ET5EDG (698004), ET5EDWS (698084), ET7ADP (698019), EUC1DPWS (400058), EUC1WS (400057), EUC3DPWS (400062), EUC3IG4 (502316), EUC3IG8 (502315), EUC3WS (400060), EUCAI (502025), EUCAI60 (502027), EUCAICL (502038), EUCAICLG (502039), EUCAICLW (502042), EUCAIDD (502058), EUCAIDP (502026), EUCAIDPJ (502059), EUCAIDPJ60 (502060), EUCAIDPNW (502046), EUCAIG (502033), EUCAIML (502035), EUCAIMLG (502037), EUCAIMLWS (502036), EUCAIUSPH6 (502056), EUCAIWL (502040), EUCAIWS (502028), EUCAIWSG (502034), EUCI (502043), EUCIDDC (502123), EUCIM (502044), EUCIM60 (502045), FL5 (690004), FL5/3WSDP (690009), FL5DDG (690027), FL5DP (690005), FL620ADPWS (698014), FL620DPWSG (698027), FL620EA (698070), FL620EA/DD (698079), FL620EADP (698071), FL620EADP/ (698080), FL620EAG (698026), FL620EP (698003), FL620EP/DD (698078), H1310SANA (698016), H3300 (698007), LB5DPG (400119), LD5 (690014), LD5DP (690013), LS5/1 (400100), LS5/1DP (400102), LS5/1DP60 (400124), LS5/1DPAUS (400125), LS5/1DPCS (400126), LS5/1WS (400103), LS5/1WSDP (400110), LS5/3 (400112), LS5/3DP (400113), LS5/3WS (400114), LS5/3WSDP (400115), LS5/3WSDPD (400117), LS6AH208DU (502319), LS6AH208RU (502326), LS6EA (502320), LS6EAH240DU (502325), LS6EAH240RU (502327), LS6EAH240U (502312), LS6EA (502520), LS6EA/60 (502041), LS6EA/DP (502521), LS6EA/DPDD (502006), LS6EA/DPUK (502031), LS6EA/UK (502030), LS6EADD (502005), LS6EADP3 (502009), LS6EADPWS (502022), LS6EADPWS (502014), LS6EADPWSG (502015), LS6EAH (502523), LS6EP (502003), LS6EP/DD (502004), LS6MCD (502524), LS6SANA (502024), LU700ADP (698034), LU700ADPWS (698037), LU700PDP (698033), LU7ADP (503021), LU7ADPWS (503022), LU7PDP (503020), LV5 (690006), LV5/3WSDP (690008), LV5DP (690007), LV6EA (698081), LV6EADP (698082), LV6EADPWS (698011), LV6EP (698006), NUC1DPWS (400143), NUC1WS (400142), NUC3DDWS (400148), NUC3DPWS (400147), NUC3WS (400145), NUCAIG (502010), NUCAIWSG (502011), UC5/1 (690017), UC5/1DP (690018), UC5DP (690010), UC5WSDP (690011), WT30C208DU (502344), WT30C240DU (502345), WT30H208RU (502317), WT30H208U (502313), WT30H208WS (502348), WT30H240RU (502318), WT30H240U (502314), WT30H240WS (502349), WT30M208DU (502339), WT30M208RU (502342), WT30M208U (502328), WT30M240DU (502341), WT30M240RU (502343), WT30M240U (502329), WT37 (502111), WT37/4.5 (502117), WT37/UK (502122), WT37J50 (502219), WT37J60 (502218), WT37LEV/9 (502020), WT38 (502112), WT38/4.5 (502118), WT38/4.5NW (502129), WT38/60 (502321), WT38/M50 (502008), WT38/M60 (502322), WT38C (502125), WT38C60 (502126), WT38CUK (502127), WT38D (502110), WT38DWS (502023), WT38M50/4 (502029), WT38M60/4 (502347), WT38MED (502323), WT38MEDWS (502018), WT38PM50 (502019), WT38PM60 (502346), WT38TDE (502007), WT38UK (502217), WT38WL (502514), WT38WS (502016), WT38WSG (502017), WT4 (400007), WT46 (400016), WT4B (400008), WT4BDWS (502029), WT4BWS (400027), WT4D (400009), WT4D60 (400042), WT4DB (400015), WT4DDG (400043), WT4DG (400018), WT4DWS1 (400028), WT4WS1 (400019), WTU40ADP (503024), WTU40ADPDP (503026), WTU40ADPWS (503025), WTU40PDP (503023), XUCAI (502012), XUCAIDP (502013), ZUCAI (502049), ZUCAI60 (502055), ZUCAID (502054), ZUCAIDD (502057), ZUCAIDWS (502053), ZUCAIDP (502050), ZUCAIDPWS (502051), ZUCAIG (502052), ZUCI (502047), ZUCID (502048), ZUCIDC (502124), Dishwashing/Hood Type AHT81 (698068), AHT81G (698067), AHT81WSG (698066), AHTAIWS (698116), AHTAIWSG (698118), AHTAWS (698115), ECOTEMP12S (504165), ECOTEMP12S (504165), EHT (505046), EHT60 (505047), EHT81 (504259), EHT81ELG (504254), EHT81ELG4 (504279), EHT81ELG6 (504288), EHT81ELG8 (504280), EHT81ELGJ (504268), EHT81ELGJ6 (504269), EHT81EWSG (504255), EHT81G (504258), EHT81LG (504256), EHT81LG4 (504262), EHT81LG8 (504263), EHT81ROW (504260), EHT81ROW6 (504261), EHT81S (504267), EHT81USPH5 (504264), EHT81USPH6 (504265), EHT81WSG (504257), EHT8J (505077), EHT8J6 (505078), EHT8M (505079), EHT8M6 (505080), EHT8O (505074), EHT8O6 (505076), EHT8ROW (505073), EHT8ROW6 (505075), EHT8TIEL (504250), EHT8TIELG4 (504252), EHT8TIELG8 (504253), EHT8TIL (504251), EHTA (504226), EHTA60 (504227), EHTAI (504229), EHTAI60 (504235), EHTAID (504230), EHTAIDWS (504232), EHTAIG (504233), EHTAIMLAU (504236), EHTAIUSPH5 (504244), EHTAIUSPH6 (504245), EHTAIWS (504231), EHTAIWSG (504234), EHTAJ (505058), EHTAJ60 (505059), EHTAO (505036), EHTAO60 (505060), EHTAROW (505054), EHTAROW60 (505055), EHTAWS (504228), EHTG (505048), EHTM (505049), EHTM60 (505050), ET12E (504104), ET12E (504104), ET12EI (698057), ET12EICW (698062), ET12EICWG (698061), ET12EIF (698065), ET12EIG (698056), ET12EIGS (698063), ET12EWS (504218), H1510SANA (698017), H2500 (698008), H3500 (698009), HHT8 (505090), HHT81 (504290), HT1000 (698051), HT1000DP (698054), HT1000INS (698052), HT1200 (698050), HT1200 (698050), HT1200BIDG (698029), HT1200BIDW (698038), HT1200DEK (504129), HT1200DP (698055), HT1200INS (698053), HT1200INS (504109), HT1200IWS (698013), HT1200WS (698012), HT900 (698022), HT900ADG1 (698028), KHT (505063), KHT8 (505081), LD900 (698024), LS10 (504100), LS10/60HZ (504105), LS10CW (504107), LS10DP (504114), LS10EA (504122), LS10HD (504115), LS10INS (504108), LS10N (504111), LS10UK/1 (504118), LS10UK/3 (504119), LS10UKDP (504102), LS12 (504121), LS12/60HZ (504125), LS12ASIA (504190), LS12CW (504128), LS12CWINS (504178), LS12DP (504122), LS12HD (504153), LS12INS (504120), LS12NAU (504163), LS12UK/3CW (504161), LS12UKDP (504164), LS14ADPWSG (504210), LS14AH208U (504195), LS14AH240U (504187), LS14EA (504101), LS14EA/60 (504117), LS14EA/G (504133), LS14EAASIA (504131), LS14EADP/G (505075), LS14EAI (504110), LS14EAI/AU (504116), LS14EAI/ADD (504155), LS14EAI/WS (504211), LS14EAWS (504209), LS14H208DU (504194), LS14H208RU (504197), LS14H240DU (504196), LS14H240RU (504198), LS14ROW (504220), LS14ROW60 (504224), LS14SANA (504221), LS9ADG1 (505041), LS9AUK/3 (505034), LS9P (505022), LS9P60 (505035), LS9PAUS (505043), LS9PDD (505033), LV1000 (698059), LV1200INS (698060), LV1200IWS (698018), LV900P (698023), NHT (505051), NHT60 (505053), NHT8 (505071), NHT8DD (505084), NHT8G (505070), NHT8GRUK (506069), NHT8GUK (505083), NHT8IELG (504286), NHT8IEWSG (504287), NHT8IG (504285), NHT8ILG (504283), NHT8IWSG (504284), NHT8LGRUK (506070), NHT8LGRUK (505086), NHT8O (505067), NHT8O6 (505069), NHT8P (505089), NHT8ROW (505066), NHT8ROW6 (505068), NHT8WSG (505072), NHT8WSGUK (505085), NHTD (505052), NHTDPPDG (698058), NHTG (698110), NHTM (505064), NHTM60 (505065), NHTP (505082), OHTAROW (698047), OHTAROW60 (698048), WT55ADG1 (505042), WT55AUK/3 (505040), WT55P (505038), WT55P60 (505039), WT55PMS0 (505044), WT55PM60 (505045), WT65BIDWSG (504213), WT65E (504156), WT65E60 (504169), WT65EB (504157), WT65EB60 (504170), WT65EBASIA (504174), WT65EBI (504166), WT65EBIA (504167), WT65EBID (504222), WT65EBIDG (504173), WT65EBIWS (504214), WT65EBIWS (504223), WT65EBWS (504212), WT65EI (504158), WT65EIA (504168), WT65EIM50 (504175), WT65EIM60 (504176), WT65EJ50 (504183), WT65EJ60 (504186), WT65H208DU (504199), WT65H208RU (504201), WT65H208U (504188), WT65H208WS (504216), WT65H240DU (504200), WT65H240RU (504202), WT65H240U (504189), WT65H240WS (504217), WT65M208DU (504205), WT65M208RU (504207), WT65M208U (504203), WT65M240DU (504206), WT65M240RU (504208), WT65M240U (504204), WT65MED (504180), WT65MEDWS (504215), WT65ROW (504219), WT65ROW60 (504225), ZHT7 (505087), ZHT76 (505088), ZHT81 (504276), ZHT81ELG (504272), ZHT81G (504275), ZHT81LG (504273), ZHT81ROW (504277), ZHT81ROW6 (504278), ZHT81WSG (504274), ZHT8TIEL (504270), ZHT8TIL (504271), ZHTAIWS (504239), ZHTAO (505061), ZHTAO60 (505062), ZHTAROW (505056), ZHTAROW60 (505057), ZHTAWS (504237), Dishwashing/Warewashers APPWEHG (698086), APPWELG (698083), APPWESG (698085), EPPWEALMS (506066), EPPWEASMS (506065), EPPWEHG (506050), EPPWEHGF (506063), EPPWELG (506054), EPPWELG60 (506055), EPPWELGFB (506064), EPPWESG (506048), EPPWESG60 (506049), EPPWESGFB (506062), EPPWESGM6 (506071), ET830M (506045), ET830MH (506046), ET850M (506047), LV100M (698044), LV100M (698044), LV200M (698045), LV200M (698045), NPPWEHG (511328), NPPWELG (511329), NPPWESG (511326), PW100M (698040), PW100M (698040), PW100MG (698039), PW100MHG (698043), PW100MHG (698043), PW160HZ (506012), PW1EAG (506207), PW1MG (506010), PW1MG (506010), PW1MHG (506013), PW1MHG (506013), PW1MUK (506011), PW1MUK (506011), PW1SMG (506007), PW200M (698041), PW200M

(698041), PW200MG (698046), PW2EAG (506212), PW2M60 (506016), PW2MG (506014), PW2MG (506014), PW2MUK (506015), PW2MUK (506015), PW2SMG (506044), WT830EA (506215), WT830EAG (506217), WT830H208U (506031), WT830H240U (506032), WT830M (506018), WT830M (506018), WT830M208U (506029), WT830M240U (506030), WT830M60G (506020), WT830M60G (506020), WT830MHG (506026), WT830MHG (506026), WT830MUK (506019), WT830MUK (506019), WT850EA (506216), WT850EAG (506218), WT850M (506022), WT850M (506022), WT850M208U (506033), WT850M240U (506034), WT850M60G (506024), WT850M60G (506024), WT850MUK (506023), WT850MUK (506023), ZPPWEALMS (506068), ZPPWEASMS (506067), ZPPWEHG (506052), ZPPWELG (506056), ZPPWESG (506051), ZPPWSLG (506057), ZPPWSSG (506053), Dishwashing/Rack Type CTC140ELA (698503), CTC140ELB (698505), CTC140ERA (698502), CTC140ERB (698504), CTC180ELA (698507), CTC180ELB (698509), CTC180ERA (698506), CTC180ERB (698508), CTC220ELA (698511), CTC220ELB (698513), CTC220ERA (698510), CTC220ERB (698512), CTC90ELB (698501), CTC90ERB (698500), ECRT200LA (534047), ECRT200LAA (534045), ECRT200LB (534049), ECRT200RA (534046), ECRT200RAA (534044), ECRT200RB (534048), ECRT250LA (534053), ECRT250LAA (534051), ECRT250LB (534055), ECRT250RA (534052), ECRT250RAA (534050), ECRT250RB (534054), ECRT44L208 (534041), ECRT44L240 (534043), ECRT44R208 (534040), ECRT44R240 (534042), ECRT66L208 (534035), ECRT66L240 (534037), ECRT66R208 (534034), ECRT66R240 (534036), RTC140ELA (534205), RTC140ELB (534207), RTC140ELC (534209), RTC140ERA (534204), RTC140ERB (534206), RTC140ERC (534208), RTC180ELA (534211), RTC180ELB (534213), RTC180ELC (534215), RTC180ERA (534210), RTC180ERB (534212), RTC180ERC (534214), RTC220ELA (534217), RTC220ELB (534219), RTC220ELC (534221), RTC220ERA (534216), RTC220ERB (534218), RTC220ERC (534220), RTC90ELB (534201), RTC90ELC (534203), RTC90ERB (534200), RTC90ERC (534202), RTM140ELA (534261), RTM140ELB (534263), RTM140ERA (534260), RTM140ERB (534262), RTM165ELA (534265), RTM165ELB (534267), RTM165ERA (534264), RTM165ERB (534266), RTM180ELA (534269), RTM180ELB (534271), RTM180ERA (534268), RTM180ERB (534270), RTM200ELA (534273), RTM200ELB (534275), RTM200ERA (534272), RTM200ERB (534274), WTC140ELA (534003), WTC140ELAG (534023), WTC140ELB (534005), WTC140ELBG (534025), WTC140ERA (534002), WTC140ERAG (534022), WTC140ERB (534004), WTC140ERBG (534024), WTC180ELA (534007), WTC180ELAG (534027), WTC180ELB (534009), WTC180ELBG (534029), WTC180ERA (534006), WTC180ERAG (534026), WTC180ERB (534008), WTC180ERBG (534028), WTC220ELA (534011), WTC220ELAG (534031), WTC220ELB (534013), WTC220ELBG (534033), WTC220ERA (534010), WTC220ERAG (534030), WTC220ERB (534012), WTC220ERBG (534032), WTC90ELB (534001), WTC90ELBG (534021), WTC90ERB (534000), WTC90ERBG (534020), WTM140ELA (534101), WTM140ELB (534103), WTM140ERA (534100), WTM140ERB (534102), WTM140SLA (534125), WTM140SRA (534124), WTM165ELA (534105), WTM165ELB (534107), WTM165ERA (534104), WTM165ERB (534106), WTM165SLA (534127), WTM165SRA (534126), WTM180ELA (534121), WTM180ELB (534123), WTM180ERA (534120), WTM180ERB (534122), WTM180SLA (534129), WTM180SRA (534128), WTM200ELA (534109), WTM200ELB (534111), WTM200ERA (534108), WTM200ERB (534110), WTM200SLA (534131), WTM200SRA (534130), WTM250ELA (534113), WTM250ELB (534115), WTM250ERA (534112), WTM250ERB (534114), WTM250SLA (534133), WTM250SRA (534132), WTM300ELA (534117), WTM300ELB (534119), WTM300ERA (534116), WTM300ERB (534118), WTM300SLA (534135), WTM300SRA (534134),

Relateret produkter:

- [Temperatur føler NTC -10 til 100 ° C / G0159](#)

Billede:



GASTROPARTS ApS - Håndværkervænget 19 - 2670 Greve - CVR: 39057530

Tlf.: 53704748 - Mail: info@gastroparts.dk - Web: www.gastroparts.dk

Bank: (OBS. NY BANK KONTO) NORDEA - Regnr.: 2476 / Kontonr.: 9033464751